

Mounting instructions Directions for use
STAND FOOT – STAND TUBE



Stand lamps: Makrolux
Mach 115
Mach 120 / Mach 120F

Dr. Mach GmbH u. Co., Flossmannstrasse 28, D-85560 Ebersberg
Tel.: +49 (0)8092 2093 0, Fax +49 (0)8092 2093 50
Internet: www.dr-mach.com, E-mail: info@dr-mach.de

List of contents

1. Safety instructionsPage 3

2. Installation summary – stand lamps.....Page 4

3. Overview tablePage 5
Stand foot, stand tube, swivel arm

4. Mounting instructionsPage 6
4.1 Mounting the stand footPage 6

5. Directions for usePage 7
5.1 Stand footPage 7
5.2 Stand tubePage 7
5.3 Swivel armPage 8

6. Cleaning.....Page 8

7. MaintenancePage 8

8. DataPage 9

9. DisposalPage 9

10. Spare partsPage 10
10.1 Stand footPage 10
10.2 Stand tube and swivel armPage 11

1. Safety instructions

The stand foot may not be connected to the mains until it has been fully assembled and installed.

The manufacturer is only responsible for operational safety of the stand foot when repairs and modifications are carried out by his own staff or by persons who guarantee compliance with the safety regulations.

The manufacturer is not responsible for damage to persons or property caused by incorrect or improper use, or when used for incorrect purposes.

General information

These installation instructions must be kept on the lamp together with the relevant operating instructions for consultation at any time.

All Dr. Mach stand lamps are supplied with all installation and connection parts and components.

For packaging reasons, the five-foot stand is supplied in dismantled state. The stand tube is always assembled as a unit and only needs to be attached to the foot with the lower fastening screw.

The lamp is supplied with integrated connection lead and earthed plug.

The socket to be used for the lamp must be installed according to the requirements stipulated by the IEC or VDE 0107.

Please check that the earthed socket is available within the working area of the lamp.

2. Installation summary – stand lamps

Example: Lamp Mach 120



The stand is adjustable in height and is to be mounted with the lamps Makrolux, Mach 115 and Mach 120/120F. The stand is not electrified.

3. Overview table

Stand foot – stand tube – swivel arm

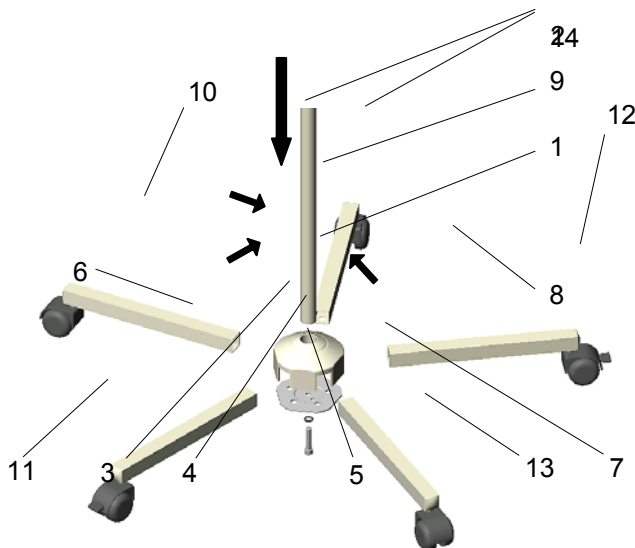
Lamp type		Makrolux	Mach 115	Mach 120/120F
Data				
Power supply	Primary	230V AC (120V AC optional)		
	Secondary	24V		
	Transformer	20W	39W	40W
Stand foot	Number of extension arms	5		
	Length of extension arm	310mm		
	Roller \varnothing	50mm		
Stand tube	Length approx.	95cm – 145cm		
	Diameter	25mm		
	Extension	yes		
	Cable connection	no		
	Suitable for article no.	1100 1012 00 1101 1012 00	1151 1012 00	1201 1012 00 1202 2012 00
Swivel arm + lamp head	Mounting	<ul style="list-style-type: none"> • Swivel arm and lamp head premounted • Swivel arm to stand 		

4. Mounting instructions

Extent of supply

- 1x 5-footed plastic central base
- 2x extension arms with blocking rollers
- 2x extension arms with electrically conductive rollers
- 1x extension arm with roller
- 1x cam catch plate
- 1x cheese head screw M8 with lock washer
- 1x stand tube
- Lamp head with arm
- Mounting instructions/Instructions for use – stand
- Instructions for use – lamp head

4.1 Mounting the stand



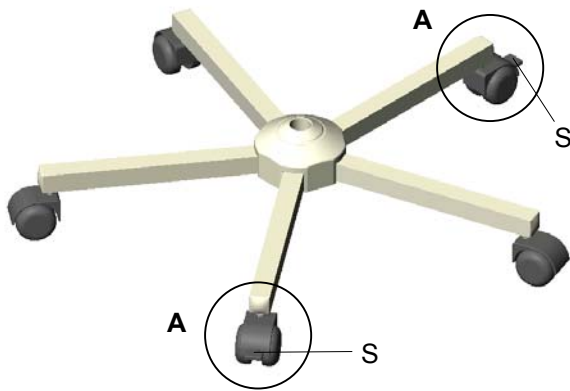
For mounting the stand proceed as follows:

- Place the central base **1** onto the stand tube $\text{Ø}25$ **2**. The stiffness is to ensure a tight fit that is free from any movement.
- Pre-mount the cam catch plate **3** (cams point inwards), with the lock washer **4** and cheese head screw M8 **5**, so that the extension arm **6** can still fit easily into the central base. Insert the extension arm **6** into the central base from above holding the cam catch plate **3** against from the opposite side.
- Insert the other 4 extension arms **7-10** in the sequence shown in the left figure into the central base. The extension arms are held by the cams of the cam catch plates.

Remark: Mount the two locking rollers **11 and **12**, and the two electrically conductive rollers **13** and **14** as shown in the figure (not next to each other).**

- Tighten the catch plate with an Allen key SW6 (approx. 15Nm).
The cams of the catch plate must mate with the drill holes of the extension arms so that every extension arm is tightly fitted to both the central base and stand tube.
The cams also prevent the extension arms from being pulled out.

5. Directions for use



5.1 Foot

The five-foot stand is equipped with two opposing braked wheels **A**.

Set the brake by pressing the pedal **S** on the roller. Unlock by lifting the pedal again.



5.2 Stand tube

The stand tube can be adjusted continuously in height and fixed in the precisely required position, needing only one hand.

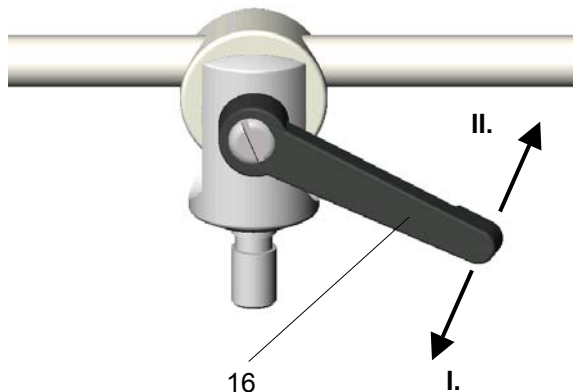
The height is adjusted by lifting the slip button **15**. The position is automatically fixed on letting go.

As long as the slip button **15** is raised, the extension tube can be pulled off or inserted into the stand tube.

5.3 Swivel arm

The swivel arm with transformer as counterweight is in balance, when the lamp is inserted in position.

Adjust the moving of the swivel arm with the adjusting lever **16**.



- **The swivel arm doesn't hold its set position:**
Turn the adjusting lever clockwise as far as necessary (I.). You can fix the lamp in the required position.
- **The swivel arm moves sluggishly:**
Turn the adjusting lever anti-clockwise (II.), until you can move the swivel arm easy enough.

The adjusting lever can be brought into a suitable position by pulling it out, without changing the adjusted clamping force.

6. Cleaning



Alc. ≤ 20 %

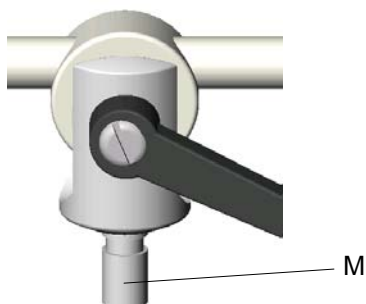
The surface of the stands can be easily kept clean by simply wiping with a damp cloth. You can use conventional cleaning agents. In case of disinfection only use disinfectants with less than 20% alcohol.

Remark: For cleaning the lamp head, the dispersion lenses and splinter protection disks, see respective instructions for use of the lamp.

7. Maintenance

Caution!

The mains plug must be disconnected before performing any maintenance work.



The mounting journal **M** and the journal groove of the lamp should be lightly greased with acid-free grease when mounting the lamp and once in a year.

8. Data

Environmental conditions

Operation

	Min.	Max.
Temperature	+10°C	+40°C
Relative atmospheric humidity	30%	75%
Air pressure	700 hPa	1060 hPa

Transport / storage

	Min.	Max.
Temperature	-10°C	+50°C
Relative atmospheric humidity	20%	90%
Air pressure	700 hPa	1060 hPa

9. Disposal

The stands do not contain any danger goods.

The components of the stand should be properly disposed at the end of its shelf life.

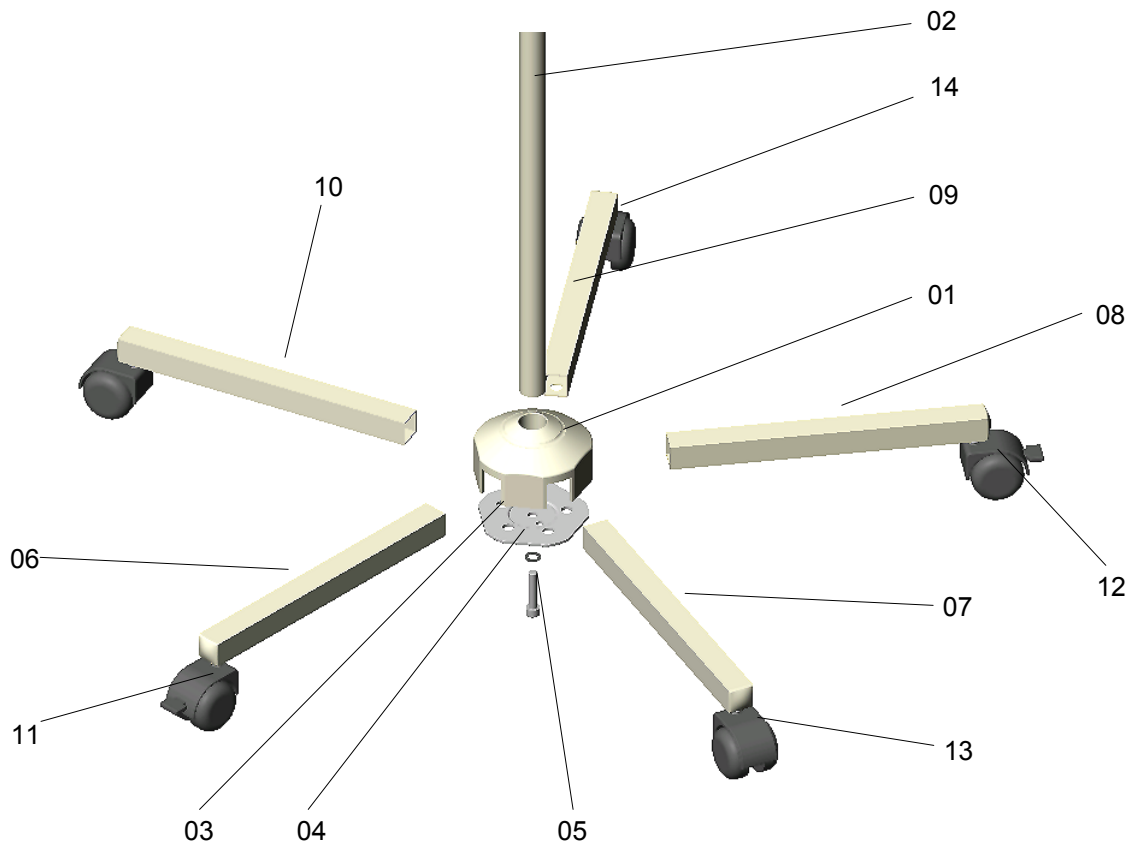
Make sure that the materials are carefully separated.

The components of the stand should be disposed according to the contained materials.

10. Spare parts

Item	Qty.	Name	EDVNO	Remarks
01	1	Central base		
02	1	Stand tube Ø25mm		
03	1	Cam catch plate		
04	1	Lock washer		
05	1	Cheese head screw M5		
06	5	Extension arm length 300mm		
07				
08				
09				
10				
11	2	Roller Ø50mm with brake		
12				
13	2	Roller Ø50mm electrically conductive		
14				
15	1	Slip button		Extension tube
16	1	Adjusting lever		Swivel arm

10.1 Stand foot



10.2 Stand tube and swivel arm

